

# TEST REPORT

 <p><b>CTK Co., Ltd.</b> The Power Leader of Global Regulatory Certification</p>	<p><b>CTK Co., Ltd.</b> (Ho-dong) 113, Yejik-ro, Cheoin-gu, Yongin-shi Gyeonggi-do KOREA, REPUBLIC OF Tel: +82-31-339-9970 Fax: +82-31-624-9501</p>	<p>REPORT No.: CTK-2017-01124 Page (1) / (10) pages</p>	
---	---	---	--

**1. Applicant**

- Name ..... : Hanwha Techwin Co., Ltd.
- Address ..... : Hanwha Techwin R&D center, 6 Pangyo-ro 319Beon-gil,  
Bundang-gu, Seongnam-si, Gyeonggi-do, 13488 KOREA
- Date of Receipt..... : 2017-05-24

**2. Manufacturer**

- Name ..... : HANWHA TECHWIN (TIANJIN) CO.,LTD.
- Address..... : No.11 Weiliu Rd, Micro-Electronic Industrial  
Park, TEDA, Tianjin, 300385, People's Republic of China

**3. Use of Report** ..... : Quality control

**4. Test sample / Model**..... : NETWORK CAMERA / XNP-6040H\* (\*N:NT/P:PAL)



**5. Date(s) of test** ..... : 2017-05-26

**6. Test Standard (Method) used** .. : Requested Test Specification of Applicant

**7. Testing Environment** ..... : Temperature : (25.0 ± 10.0) oC, Humidity : (50 ± 25) %R.H.

**8. Results** ..... : Reference test results

The results shown in this test report refer only to the sample(s) tested unless otherwise stated.  
This report shall not be reproduced except in full without the written approval of CTK

Approval	Tested by: WonHyeon. Choi.  (Signature)	Technical Manager: YongGon. Kim  (Signature)
----------	--	---



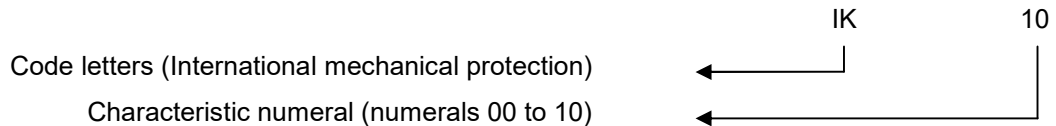
**CTK Co., Ltd.**

2017-06-08

## 1. Degrees of protection provided by enclosures for electrical equipment against external mechanical impacts (IK code)

### 1.1 Test standard: KS C IEC 62262: 2005

### 1.2 Arrangement of the IK code



### 1.3 Vertical Hammer

#### 1.3.1 Test equipment

Equipment No.	Equipment	Model	Manufacturer	Serial	Cal. Effective Date
S3-V06	Vertical Hammer	5J	Kingpo	TX028-1	2017-05-26

#### 1.3.2 Test condition

IK code	Impact Energy (J)	Equivalent mass (kg)	Drop height (mm ± 1%)	Application
00	Non-protected	-	-	<input type="checkbox"/>
01	0.14	0.25	56	<input type="checkbox"/>
02	0.20	0.25	80	<input type="checkbox"/>
03	0.35	0.25	140	<input type="checkbox"/>
04	0.50	0.25	200	<input type="checkbox"/>
05	0.70	0.25	280	<input type="checkbox"/>
06	1.00	0.25	400	<input type="checkbox"/>
07	2.00	0.50	400	<input type="checkbox"/>
08	5.00	1.70	300	<input type="checkbox"/>
09	10.00	5.00	200	<input type="checkbox"/>
10	20.00	5.00	400	<input checked="" type="checkbox"/>

- Impact times: five times for each of the exposed surface. (Do not impact more than 3 times in the same spot)

#### 1.3.3 Check Item

- Check the separation of the component.
- Check the visual damage of the product outside.
- Check the operation.

 <p><b>CTK Co., Ltd.</b> The Power Leader of Global Regulatory Certification</p>	<p><b>CTK Co., Ltd.</b> (Ho-dong) 113, Yejik-ro, Cheoin-gu, Yongin-shi Gyeonggi-do KOREA, REPUBLIC OF Tel: +82-31-339-9970 Fax: +82-31-624-9501</p>	<p>REPORT No.: CTK-2017-01124 Page (3) / (10) pages</p>	
---	---	---	--

### 1.3.5 Test Result

Characteristic numeral	Remark
IK 10	<p>The enclosure is deformed.</p> <p>The product operates normally.</p>



## CTK Co., Ltd.

(Ho-dong) 113, Yejik-ro, Cheoin-gu, Yongin-shi  
Gyeonggi-do KOREA, REPUBLIC OF  
Tel: +82-31-339-9970  
Fax: +82-31-624-9501

REPORT No.:  
CTK-2017-01124  
Page (4) / (10) pages

## 2. Attachment

### 2.1 Products



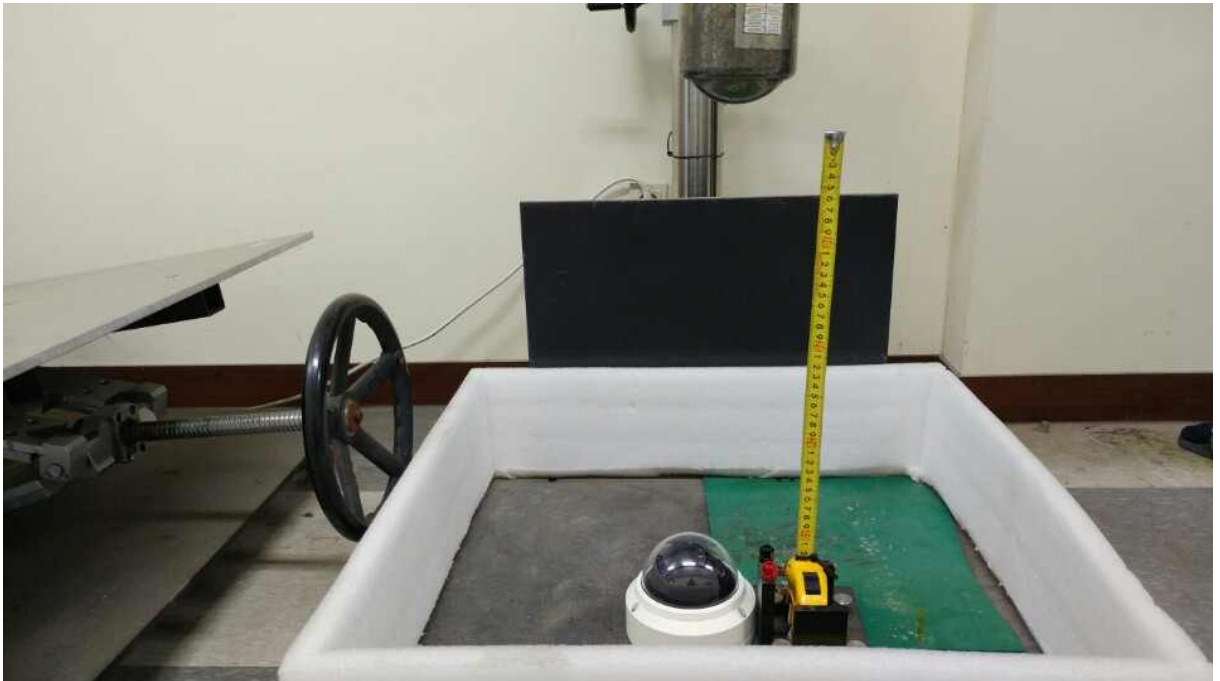


## CTK Co., Ltd.

(Ho-dong) 113, Yejik-ro, Cheoin-gu, Yongin-shi  
Gyeonggi-do KOREA, REPUBLIC OF  
Tel: +82-31-339-9970  
Fax: +82-31-624-9501

REPORT No.:  
CTK-2017-01124  
Page (5) / (10) pages

### 2.2 Test photos



### 2.3 Photos after test

[P1, P2]



[P3]







**CTK Co., Ltd.**

(Ho-dong) 113, Yejik-ro, Cheoin-gu, Yongin-shi  
Gyeonggi-do KOREA, REPUBLIC OF  
Tel: +82-31-339-9970  
Fax: +82-31-624-9501

REPORT No.:  
CTK-2017-01124  
Page (7) / (10) pages

[P4,P5]



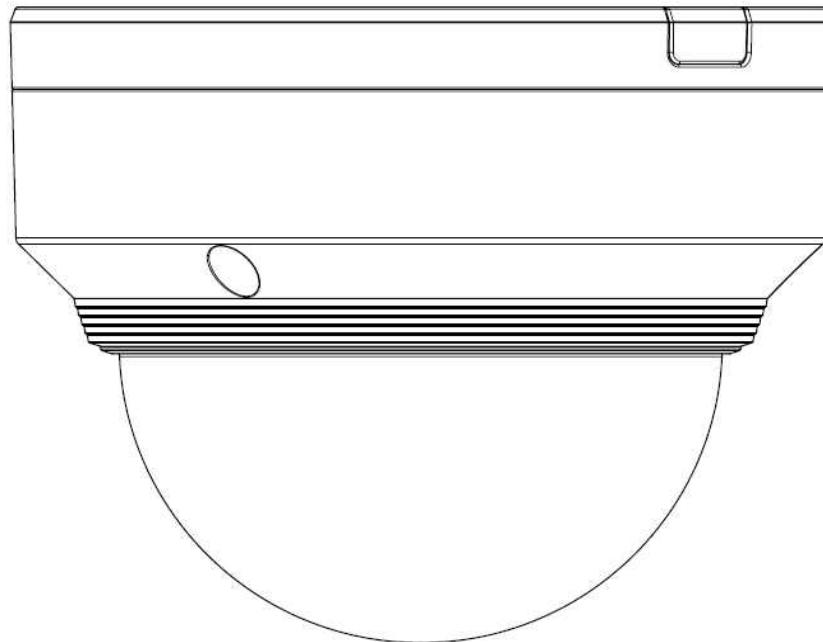
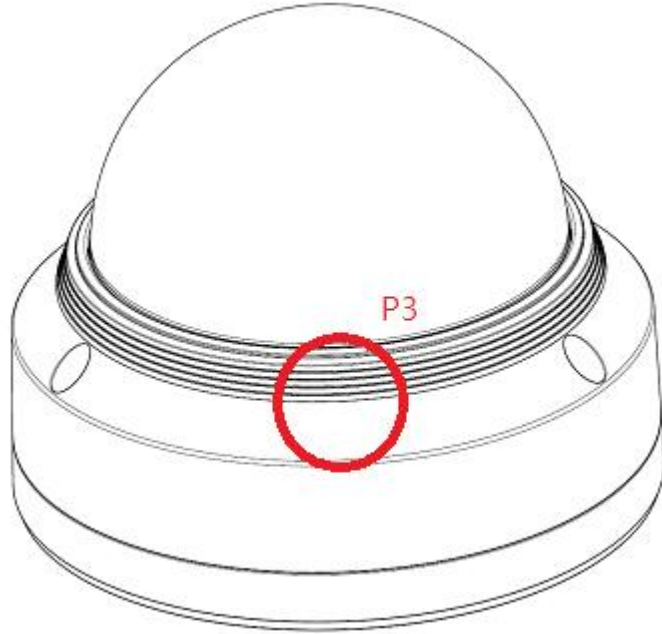


**CTK Co., Ltd.**

(Ho-dong) 113, Yejik-ro, Cheoin-gu, Yongin-shi  
Gyeonggi-do KOREA, REPUBLIC OF  
Tel: +82-31-339-9970  
Fax: +82-31-624-9501

REPORT No.:  
CTK-2017-01124  
Page (8) / (10) pages

**2.3 Enclosure Dimensions or Impact point (Unit: mm)**







**CTK Co., Ltd.**

(Ho-dong) 113, Yejik-ro, Cheoin-gu, Yongin-shi  
Gyeonggi-do KOREA, REPUBLIC OF  
Tel: +82-31-339-9970  
Fax: +82-31-624-9501

REPORT No.:  
CTK-2017-01124  
Page (9) / (10) pages

